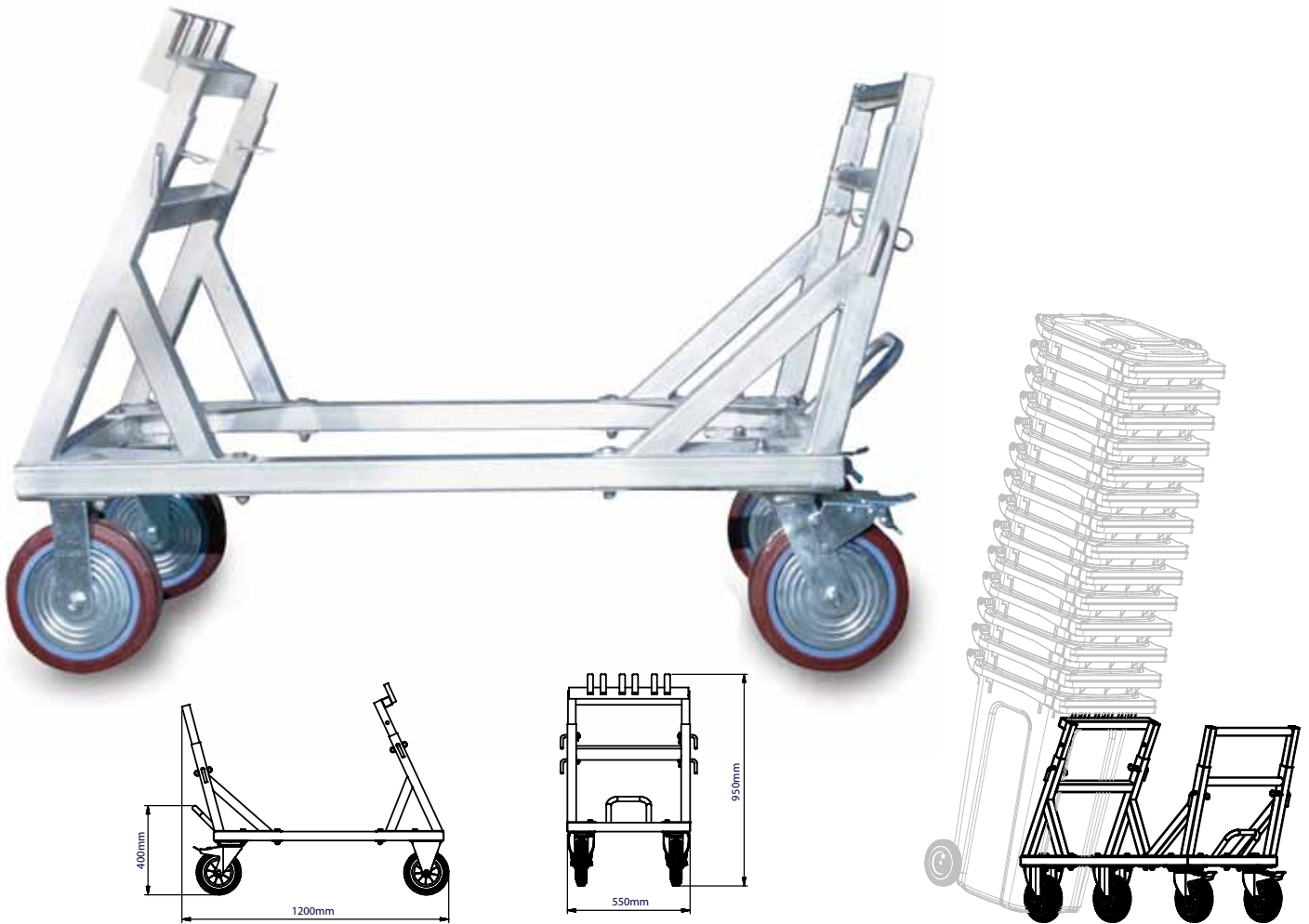


Stack Trolley for 2 wheel bins

The SULO bin trolley is designed to assist in the safe manual handling of Mobile Garbage Bins (MGBs). It enables a stack of MGBs to be safely tilted and manually relocated around the workplace. An MGB stack can also be tilted and moved into a horizontal position where additional work such as the affixing of lids to MGBs can be carried out.

The bin trolley is suitable for use with 80, 120, 140, 240 and 360 Litre MGBs and is fitted with heavy duty industrial castors for maximum user safety. The front castors are fixed and the rear castors are swivel type with brakes. The product bears an engineering compliance plate detailing the individual product's design and compliance to AS/NZS 1170.0:2002 Structural design actions - General principles.



PRODUCT SPECIFICATIONS

Safe Working Load (SWL): 150kg
 Unit weight: 35kg
 Rated castors load: 150kg
 Finish: Corrosion protected

STANDARD LIFTING CONFIGURATION x BIN SIZE

BIN SIZE	STD STACK QTY	APPROX STACK HEIGHT (mm)	APPROX STACK WEIGHT (kg)
80L	14	2540	62.5
120L	14	2690	92.5
140L	14	2690	106
240L	14	2690	130
360L	12	2590	135

SULO MGB Australia
 123 Wisemans Ferry Road
 Somersby NSW 2250 Australia
 T: (02) 4348 8188
 F: (02) 4348 8128

SULO – Queensland Office
 11 Argon Street
 Sumner Park QLD 4074
 Australia
 T: (07) 3725 5000
 F: (07) 3725 5099

SULO – Victorian Office
 1950 Hume Hwy
 Campbellfield VIC 3061
 Australia
 T: (03) 9357 7320
 F: (03) 9357 7340

SULO Talbot - New Zealand
 Gate 4, 13 Kerwyn Avenue
 East Tamaki, Auckland 2141
 New Zealand
 T: (09) 968 2180
 F: (09) 968 2188