

# HI-TOPP<sup>®</sup> BIN CAP A MUST FOR CLEAN EVENTS



For event management and public place recycling guidelines refer to:  
 Beverage Industry Environment Council  
 Department of Environment and Climate Change  
 Sustainability Victoria  
 No Waste ACT  
 Zero Waste SA

## Resource Recovery

- Supports source separation and recycling
- Labelling to suit your specific requirements
- Reduces contamination with easily identifiable markings
- Sizes available to suit 80l, 120l and 240l MGBs



## Assembly

- Coupling system enables collection station to be formed
- Encourages pre-sorting of recyclables at the source
- Large openings on both sides provides for better traffic flow and visibility



## Easy storage

- Easy handling
- Lightweight
- Lids are stackable
- Space saving



# HI-TOPP® BIN CAP

## Material

- **Polymer components:**
  - Thermoformed from HDPE
  - UV - stabilisation provides excellent ageing characteristics
  - Resistant to decay, frost, heat and chemicals
- **Long service life:**
  - High quality materials
  - Strong and durable
- **Recycling:**
  - Manufactured from 100% recyclable plastic

## Advantages

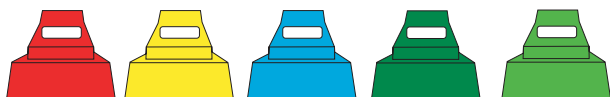
- **Easy handling**
  - Lightweight for easy movement
  - Stackable for space saving storage
- Fits SULO 240 litre mobile garbage bins as well as most existing MGB's
- Ideal for both indoor and outdoor use
- Strong, durable and weather resistant
- Dual openings allow for greater usage and traffic flow
- Highly visible with distinct labels
- Coupling system encourages greater resource separation
- Improves quality of recyclables through reduced contamination
- Maximises resource recovery
- Reduces chance of overfilling and spillage

## Imprints and markings

- SULO Hi-Topp symbol
- Manufacturer, date of manufacture, material
- Individual labels for three positions, front and back available on request\*

## Colours

- Standard colours: Red, Yellow, Blue, Dark Green, Lime Green
- Special colours are available on request\*



# SULO®

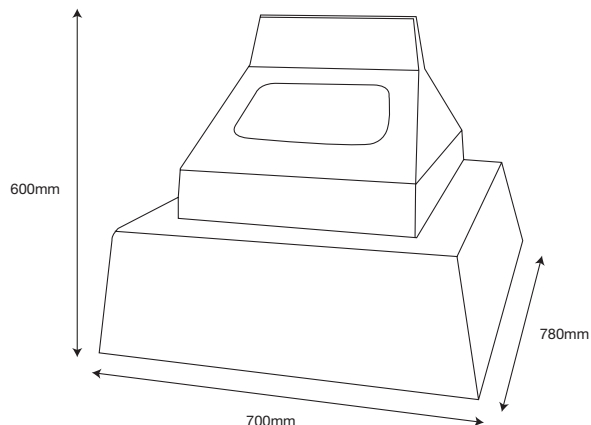
SULO MGB Australia Pty Ltd  
123 Wisemans Ferry Road  
Somersby NSW 2250  
**Australia**  
Tel: +61 (0) 2 - 4348 8188  
Fax: +61 (0) 2 - 4348 8128  
Internet: www.sulo.com.au  
E-mail: info@sulo.com.au

SULO – Queensland Office  
11 Argon Street  
Sumner Park QLD 4074  
**Australia**  
Tel: +61 (0) 7 - 3725 5000  
Fax: +61 (0) 7 - 3725 5099

## Dimensions - Weights - Standards

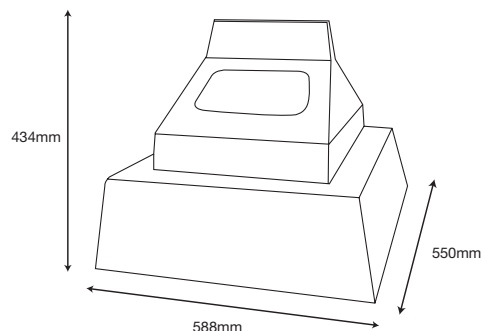
### 240 Litre

- Net weight: 2.5kg



### 80/120 Litre

- Net weight: 1.5kg



measurements are to be used as a guide only - variations will occur

Types of Material	Body	Lid
Garbage	Dark Green/Black	Red
Paper/Cardboard	Dark Green/Black	Blue
Green Waste/Organics	Dark Green/Black	Lime Green
Recyclables	Dark Green/Black	Yellow
Metal Cans	Dark Green/Black	Light Grey
Food Waste	Dark Green/Black	Burgundy
Clear Glass	Nature Green	White
Brown Glass	Nature Green	Brown
Green Glass	Nature Green	Nature Green
Mixed Glass Bottles	Nature Green	Yellow
Plastics	Dark Green/Black	Orange
Office Paper	Blue	Blue

Source: Adapted From Australian Standard AS4123

SULO – Victorian Office  
1950 Hume Hwy  
Campbellfield VIC 3061  
**Australia**  
Tel: +61 (0) 3 - 9357 7320  
Fax: +61 (0) 3 - 9357 7340

SULO - New Zealand  
PO Box 58 962  
Greenmount, Manukau City 2141  
**New Zealand**  
Tel: +64 9 - 968 2180  
Fax: +64 9 - 968 2188